

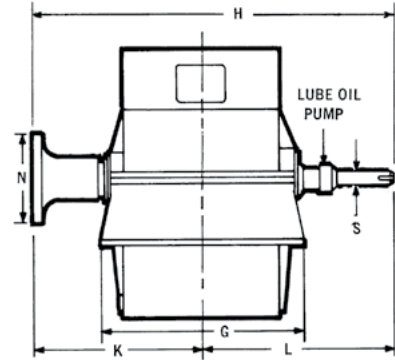
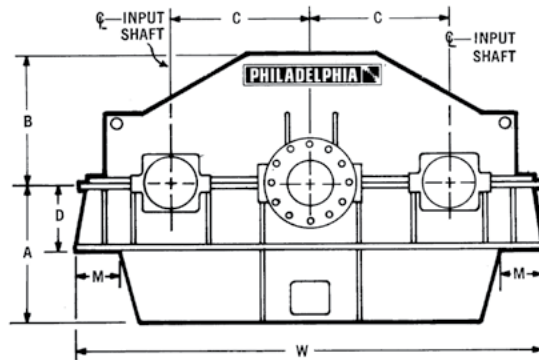
DHMG SHOWN

DHMG | DUAL-INPUT VERTICAL CLUTCH MARINE GEAR

DHCMG | DUAL-INPUT HORIZONTAL CLUTCH MARINE GEAR

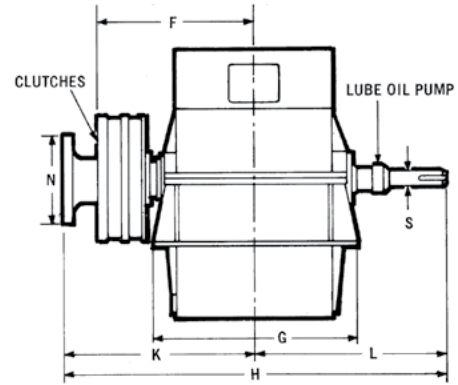
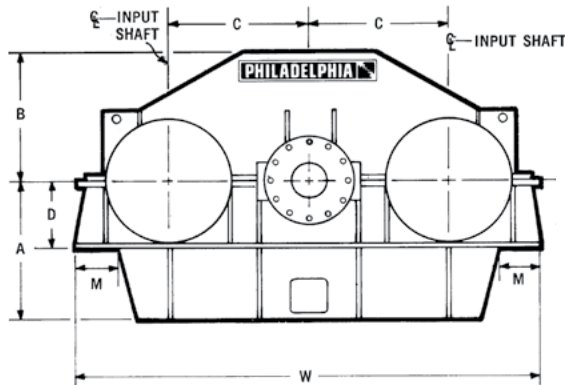
COMPOUND GEARING

DHMG



SIZE	A	B	C	D	G	H	K	L	M	N	S	W	WT.—LBS.
60	30.0	28.0	30.0	15.0	36.0	68.0	40.0	28.0	8.0	26.0	5.3	90.0	29,000
66	34.0	30.0	33.0	16.0	37.0	71.0	42.0	29.0	9.0	27.0	5.8	98.0	30,000
72	38.0	34.0	36.0	17.0	38.0	74.0	44.0	30.0	10.0	28.0	6.0	108.0	35,000
84	42.0	41.0	42.0	18.0	40.0	70.0	38.0	32.0	12.0	28.0	6.5	128.0	44,000
90	45.0	43.0	45.0	20.0	44.0	76.0	40.0	36.0	14.0	30.0	7.0	138.0	52,000
96	48.0	46.0	48.0	22.0	48.0	83.0	43.0	40.0	16.0	34.0	7.5	144.0	60,000
108	54.0	51.0	54.0	30.0	72.0	98.0	46.0	52.0	18.0	38.0	10.0	172.0	85,000
120	60.0	56.0	60.0	32.0	76.0	104.0	50.0	54.0	40.0	40.0	12.0	180.0	100,000
132	66.0	62.0	66.0	34.0	80.0	109.0	54.0	55.0	42.0	42.0	12.0	192.0	120,000
150	75.0	70.0	75.0	36.0	82.0	114.0	58.0	56.0	44.0	44.0	13.0	210.0	135,000
162	81.0	74.0	81.0	36.0	84.0	118.0	60.0	58.0	46.0	48.0	14.0	220.0	150,000

DHCMG



SIZE	A	B	C	D	F	G	H	K	L	M	N	S	W	WT.—LBS.
60	30.0	28.0	30.0	15.0	*	36.0	*	*	28.0	8.0	26.0	5.3	94.0	32,000
66	34.0	30.0	33.0	16.0	*	37.0	*	*	29.0	9.0	27.0	5.8	102.0	35,000
72	38.0	34.0	36.0	17.0	*	38.0	*	*	30.0	10.0	28.0	6.0	112.0	41,000
84	42.0	41.0	42.0	18.0	*	40.0	*	*	32.0	12.0	28.0	6.5	132.0	50,000
90	46.0	43.0	45.0	20.0	*	44.0	*	*	36.0	14.0	30.0	7.0	142.0	57,000
96	48.0	46.0	48.0	22.0	*	48.0	*	*	40.0	16.0	34.0	7.5	152.0	68,000
108	56.0	51.0	54.0	30.0	*	72.0	*	*	52.0	18.0	38.0	9.0	172.0	100,000
120	62.0	56.0	60.0	32.0	*	76.0	*	*	56.0	40.0	40.0	12.0	180.0	108,000
132	66.0	62.0	66.0	34.0	*	80.0	*	*	56.0	42.0	42.0	12.0	192.0	135,000
150	75.0	70.0	75.0	36.0	*	82.0	*	*	56.0	44.0	44.0	13.0	210.0	150,000
162	81.0	70.0	81.0	36.0	*	84.0	*	*	58.0	46.0	44.0	14.0	220.0	165,000

*Varies with clutch.

FOR INSTALLATION PURPOSES USE CERTIFIED DIMENSIONS ONLY. ALL DIMENSIONS SHOWN ARE IN INCHES.