

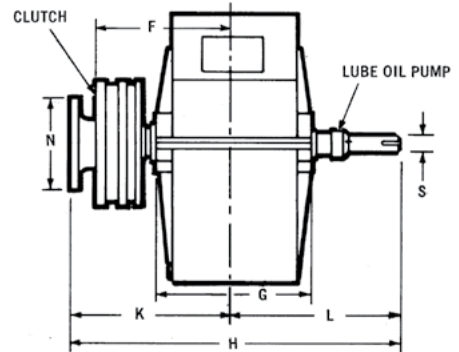
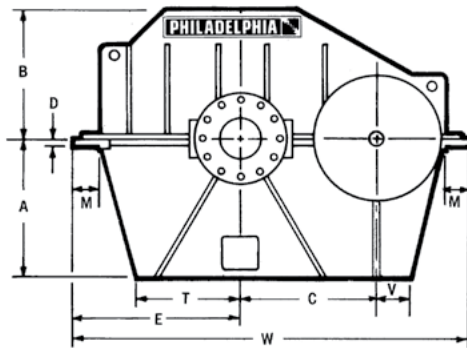
VCMG SHOWN

HCMG | HORIZONTAL CLUTCH MARINE GEAR

VCMG | VERTICAL CLUTCH MARINE GEAR

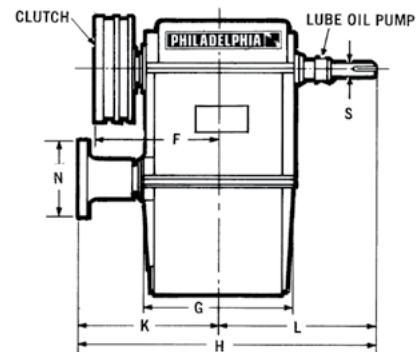
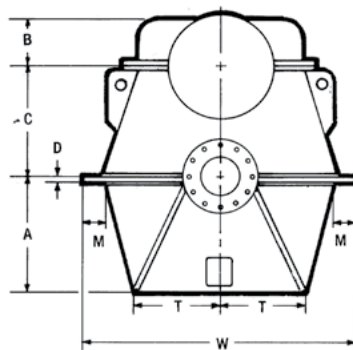
WITH DISCONNECT CLUTCH

HCMG



SIZE	A	B	C	D	E	F	G	H	K	L	M	N	S	T	V	W	WT.—LBS.
16	17.0	17.0	16.5	1.3	22.0	*	28.0	*	*	27.0	5.0	16.0	3.8	12.0	5.0	54.0	6,000
18	18.0	18.0	18.0	1.5	24.0	*	29.0	*	*	28.0	5.5	17.0	4.0	13.0	5.0	59.0	8,000
20	21.0	21.0	20.5	1.8	27.0	*	30.0	*	*	29.0	6.0	18.0	4.5	15.0	6.0	66.0	10,500
23	24.0	24.0	23.0	1.8	30.0	*	32.0	*	*	32.0	6.5	20.0	4.6	17.0	8.0	74.0	13,000
26	26.0	26.0	26.0	2.0	33.5	*	35.0	*	*	35.0	7.0	23.0	5.0	19.0	9.0	82.0	16,000
30	29.0	28.0	30.0	2.0	37.0	*	37.0	*	*	38.0	8.0	25.0	5.3	20.0	10.0	92.0	19,000
34	33.0	31.0	34.0	2.0	43.0	*	40.0	*	*	42.0	8.0	27.0	5.5	24.0	10.0	106.0	22,000
36	35.0	33.0	36.0	2.0	44.0	*	42.0	*	*	52.0	8.0	28.0	6.5	30.0	14.0	112.0	23,000
42	40.5	38.0	42.0	2.5	54.0	*	44.0	*	*	58.0	9.0	29.0	7.3	38.0	14.0	124.0	28,000
48	48.0	46.0	48.0	2.5	56.0	*	50.0	*	*	62.0	9.0	32.0	7.5	40.0	15.0	135.0	36,000

VCMG



SIZE	A	B	C	D	F	G	H	K	L	M	N	S	T	W	WT.—LBS.
16	17.0	10.0	16.5	1.3	*	28.0	*	*	27.0	5.0	16.0	3.8	10.0	48.0	6,000
18	18.0	10.0	18.0	1.5	*	29.0	*	*	28.0	5.5	17.0	4.0	12.0	52.0	8,000
20	21.0	11.0	20.5	1.8	*	30.0	*	*	29.0	6.0	18.0	4.5	14.0	58.0	10,500
23	24.0	12.0	23.0	2.0	*	32.0	*	*	32.0	7.5	20.0	4.6	18.0	64.0	13,000
26	26.0	13.0	26.0	2.0	*	35.0	*	*	35.0	8.0	23.0	5.0	22.0	70.0	16,000
30	29.0	14.0	30.0	2.0	*	37.0	*	*	38.0	8.0	25.0	5.3	24.0	76.0	19,000
34	33.0	16.0	34.0	2.5	*	40.0	*	*	42.0	9.0	27.0	5.5	26.0	88.0	22,000
36	35.0	19.0	36.0	2.0	*	42.0	*	*	52.0	8.0	28.0	6.5	28.0	86.0	23,000
42	41.0	20.0	42.0	2.0	*	44.0	*	*	58.0	9.0	29.0	7.3	32.0	96.0	28,000
48	48.0	22.0	48.0	2.5	*	50.0	*	*	62.0	9.0	32.0	7.5	36.0	112.0	36,000

*Varies with clutch.

FOR INSTALLATION PURPOSES USE CERTIFIED DIMENSIONS ONLY. ALL DIMENSIONS SHOWN ARE IN INCHES.